








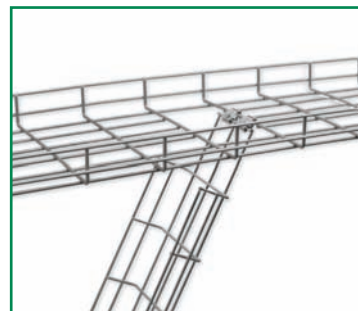
APPLICATION INSTRUCTIONS

VERTICAL DROPOUT

Use a Vertical Dropout to redirect select cables to or from a main cable run. You will need the recommended number of tee bolt assemblies (WMTB620) as noted in Table 1.

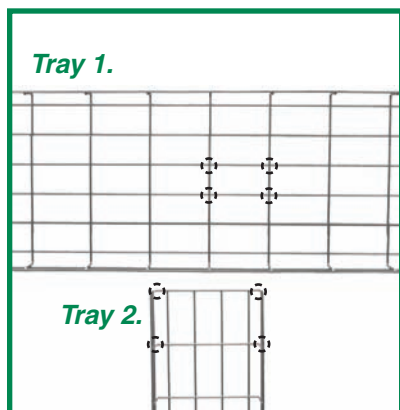
Table 1

Tray Width		Number of Connectors	Connector Placement
Inches	Metric [mm]		
2	50	2	
4	100	2	
6	150	3	
8	200	3	
12	300	3	
16	400	4	
18	450	4	



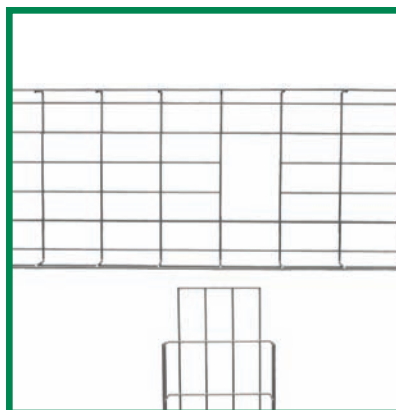
Vertical Dropout

REMOVE



Remove cross wires from Tray 1 to equal the width of Tray 2.

JOIN



Join the newly cut top of Tray 2 to the hole in the bottom of Tray 1.

SECURE



Secure the two trays using the required number of tee bolt assemblies (WMTB620) as indicated in Table 1.

Chalfant recommends leaving at least two inches of tray uncut on either side of the dropped out section of Tray 1.

THIS DOCUMENT CONTAINS PROPRIETARY INFORMATION AND IS THE PROPERTY OF CHALFANT MANUFACTURING COMPANY. THE CONTENTS OF THIS DOCUMENT SHALL NOT BE DISCLOSED, COPIED AND OR PUBLISHED WITHOUT THE WRITTEN CONSENT OF CHALFANT MANUFACTURING COMPANY.

CHALFANT
Manufacturing Company

50 Pearl Road, Suite 212
Brunswick, OH. 44212
Phone: (330) 273-3510, Fax: (330) 273-8149
Web: www.ChalfantCableTray.com
Email: Sales@ChalfantCableTray.com