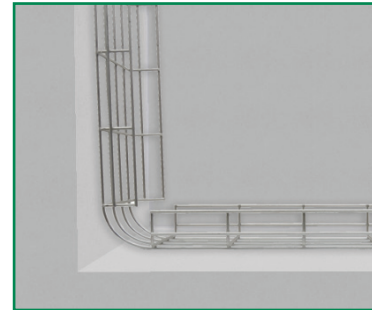
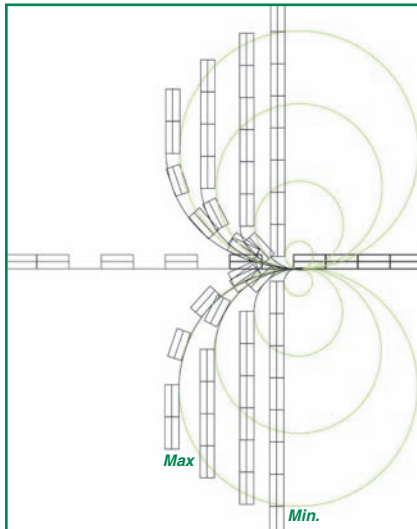


APPLICATION INSTRUCTIONS

VERTICAL BEND

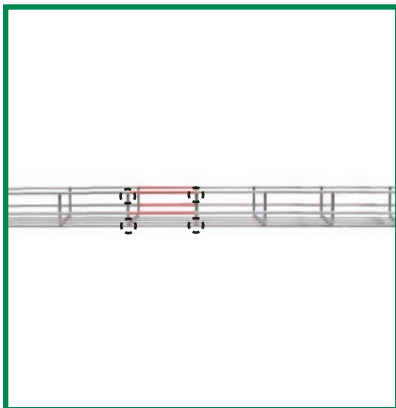
To easily transition up a sloped surface, up to 90 degrees, such as a corner where the wall meets the floor or ceiling, or to curve around a large circular shape, such as an air duct, simply cut, and bend the cable tray in accordance with the below diagram.

Table 1



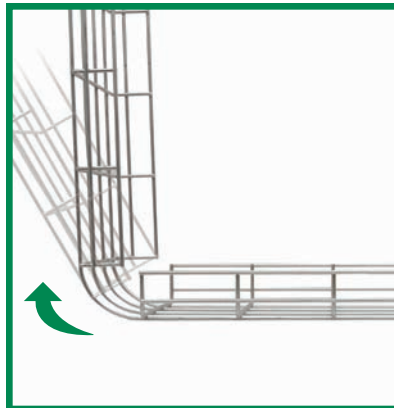
Vertical Bend

REMOVE



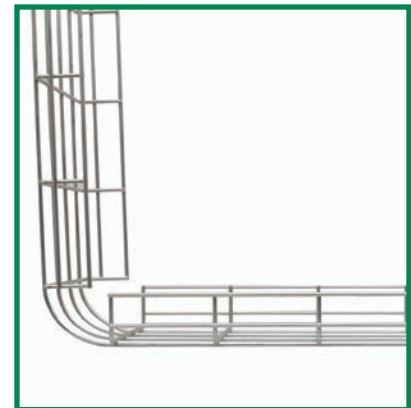
Remove sections of tray where you want the bend to occur. Leaving every other section uncut makes for a more rigid and useful bend.

BEND



Bend the loose end of tray until it forms the desired angle. Rebending a particular section more than twice may weaken the cross wires.

SECURE



Secure the cable tray as close to the bend as possible to make certain the bent areas are properly anchored.

THIS DOCUMENT CONTAINS PROPRIETARY INFORMATION AND IS THE PROPERTY OF CHALFANT MANUFACTURING COMPANY. THE CONTENTS OF THIS DOCUMENT SHALL NOT BE DISCLOSED, COPIED AND OR PUBLISHED WITHOUT THE WRITTEN CONSENT OF CHALFANT MANUFACTURING COMPANY.

CHALFANT
Manufacturing Company

50 Pearl Road, Suite 212
Brunswick, OH. 44212
Phone: (330) 273-3510, Fax: (330) 273-8149
Web: www.ChalfantCableTray.com
Email: Sales@ChalfantCableTray.com