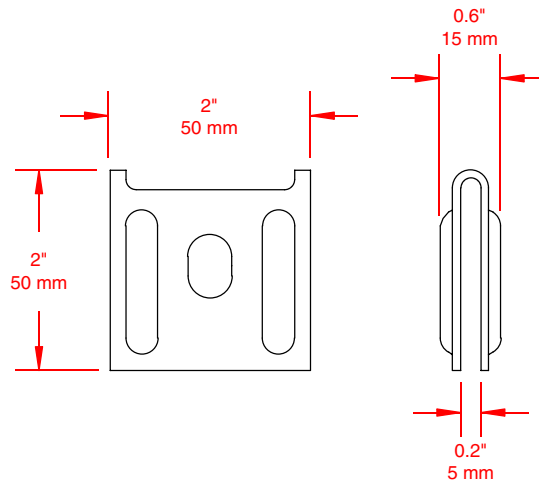


PRODUCT SPECIFICATIONS:

1. MATERIAL: PRE GALVANIZED STEEL-
PRE FABRICATION HOT GALVANIZED
ZINC COATING ON BOTH SIDES

PART NUMBER	FINISH
WMWCLAMPS	ELECTRO-GALVANIZED
WMWCLAMPT	STAINLESS STEEL 304



RECOMMENDING MOUNTING:

1. FOR WALL MOUNTING WIRE MESH TRAY.



THIS DOCUMENT CONTAINS PROPRIETARY INFORMATION AND IS THE PROPERTY OF CHALFANT MANUFACTURING COMPANY. THE CONTENTS OF THIS DOCUMENT SHALL NOT BE DISCLOSED, COPIED AND OR PUBLISHED WITHOUT THE WRITTEN CONSENT OF CHALFANT MANUFACTURING COMPANY.

FILENAME: CDWMWCLAMP		 50 Pearl Rd, Brunswick, OH. 44212 Phone: (800) 365-0228 Fax:(330) 273-8149 www.chalfantcabletray.com	<h2>WALL CLAMP</h2>
SCALE: AS NOTED			
DRAWN: J.A.B.	01/23/01	PART NO. : AS IN TABLE	DRAWING NO. : WMWCLAMP
APPROVED:	C.D.: 0157		
REV.		SHEET 1 OF 1	