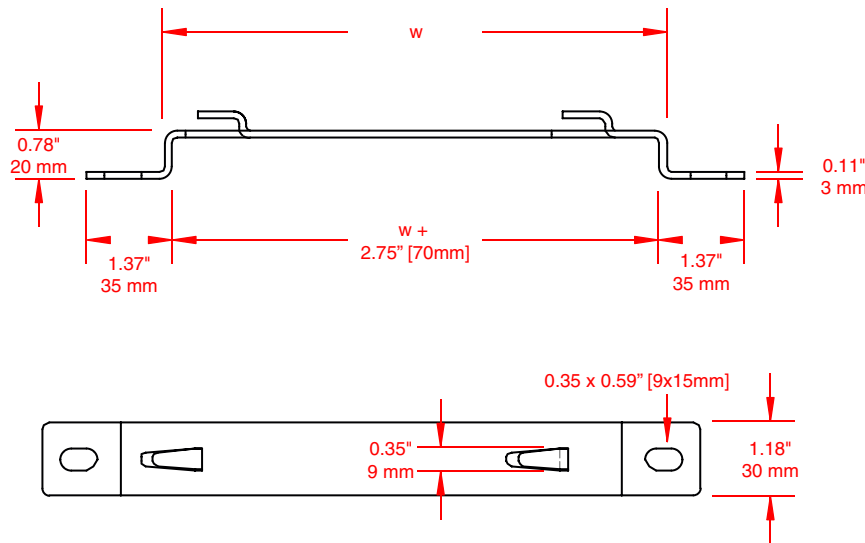


PRODUCT SPECIFICATIONS:

PART NUMBER	FINISH	FOR TRAY SIZE	
		Inch	mm
WM04FS	ELECTRO-GALVANIZED	4	100
WM08SF	ELECTRO-GALVANIZED	8	200
WM12FS	ELECTRO-GALVANIZED	12	300
WM16FS	ELECTRO-GALVANIZED	16	400



RECOMMENDING MOUNTING:

1. FOR MOUNTING WIRE MESH CABLE TRAY TO FLOOR.



THIS DOCUMENT CONTAINS PROPRIETARY INFORMATION AND IS THE PROPERTY OF CHALFANT MANUFACTURING COMPANY. THE CONTENTS OF THIS DOCUMENT SHALL NOT BE DISCLOSED, COPIED AND OR PUBLISHED WITHOUT THE WRITTEN CONSENT OF CHALFANT MANUFACTURING COMPANY.

FILENAME: CDWMxxFS		 50 Pearl Rd, Brunswick, OH. 44212 Phone: (800) 365-0228 Fax: (330) 273-8149 www.chalfantcabletray.com	STAND OFF BRACKET
SCALE: AS NOTED			
DRAWN: J.A.B.	01/22/01	PART NO. : AS IN TABLE	DRAWING NO. : WMxxFS
APPROVED:	C.D.: 0151		
REV.	SHEET 1 OF 1		