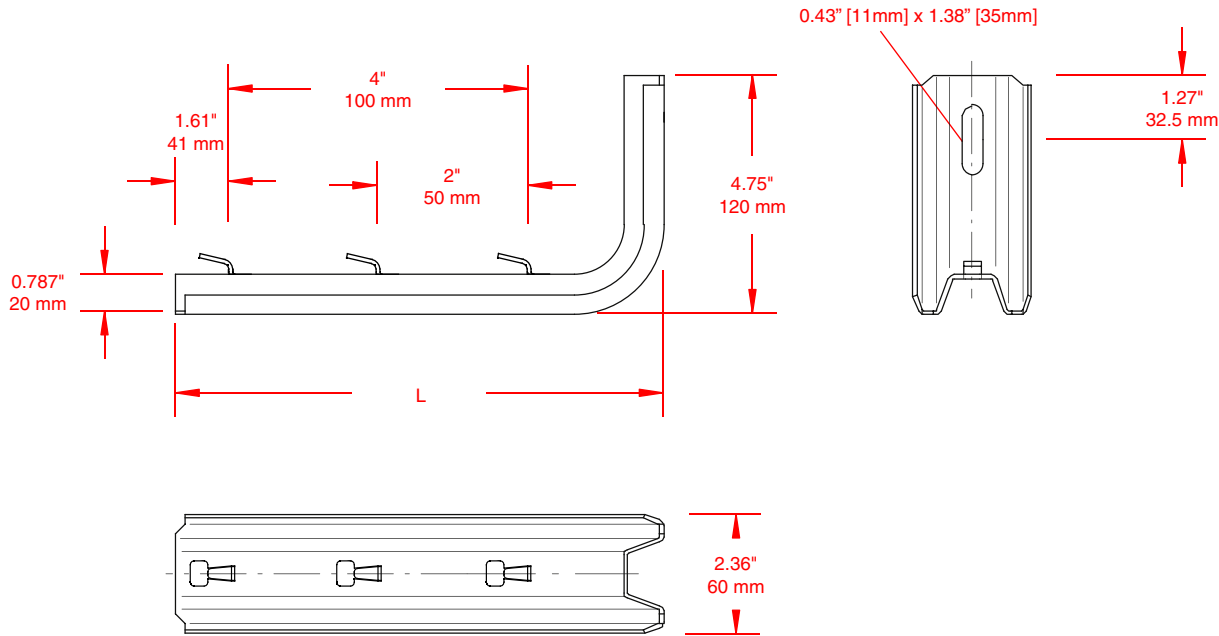


PRODUCT SPECIFICATIONS:

1. MATERIAL: PRE GALVANIZED STEEL

TRAY WIDTH		BRACKET LENGTH (L)		PART NUMBER
Inchs.	[mm]	Inchs.	[mm]	
4	100	6	156	WMTSL04
6	150	8	206	WMTSL06
8	200	10	256	WMTSL08
12	300	14	356	WMTSL12



ISO 9001



THIS DOCUMENT CONTAINS PROPRIETARY INFORMATION AND IS THE PROPERTY OF CHALFANT MANUFACTURING COMPANY. THE CONTENTS OF THIS DOCUMENT SHALL NOT BE DISCLOSED, COPIED AND OR PUBLISHED WITHOUT THE WRITTEN CONSENT OF CHALFANT MANUFACTURING COMPANY.

FILENAME: CDWMTSL04		 50 Pearl Rd, Brunswick, OH. 44212 Phone: (800) 365-0228 Fax: (330) 273-8149 www.chalfantcabletray.com	“L” TAB SYSTEM BRACKETS
SCALE: AS NOTED			
DRAWN: J.A.B	01/23/01	PART NO. : AS IN TABLE	DRAWING NO. : WMTSLxx
APPROVED: -	C.D.: 0162		
REV. -	-	SHEET 1 OF 1	