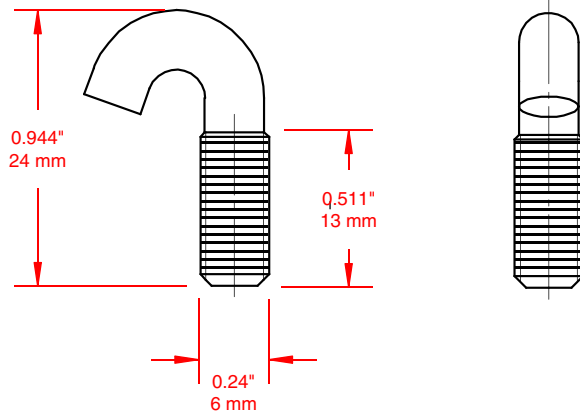


PRODUCT SPECIFICATIONS:

PART NUMBER	FINISH
WMJHOOK	STAINLESS STEEL 304



THIS DOCUMENT CONTAINS PROPRIETARY INFORMATION AND IS THE PROPERTY OF CHALFANT MANUFACTURING COMPANY. THE CONTENTS OF THIS DOCUMENT SHALL NOT BE DISCLOSED, COPIED AND OR PUBLISHED WITHOUT THE WRITTEN CONSENT OF CHALFANT MANUFACTURING COMPANY.

FILENAME: CDWMJHOOK		 50 Pearl Rd, Brunswick, OH. 44212 Phone: (800) 365-0228 Fax: (330) 273-8149 www.chalfantcabletray.com	J HOOK
SCALE: AS NOTED			
DRAWN: J.A.B.	01/22/01	PART NO. : AS IN TABLE	DRAWING NO. : WMJHOOK
APPROVED:	C.D.: 0151		
REV.	SHEET 1 OF 1	DRAWING NO. : WMJHOOK	