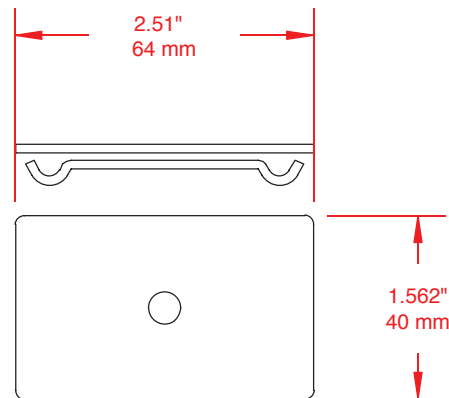
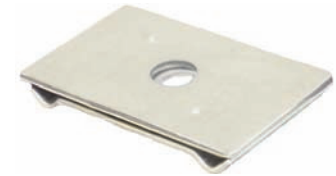


**PRODUCT SPECIFICATIONS:**

	PART NUMBER	FINISH
1/4" Hole	WMGMA14S	ELECTRO-GALVANIZED
5/16" Hole	WMGMA516S	ELECTRO-GALVANIZED
3/8" Hole	WMGMA38ST	ELECTRO-GALVANIZED
3/8" Hole	WMGMA38S	ELECTRO-GALVANIZED
3/8" Hole	WMGMA38G	HOT DIPPED



THIS DOCUMENT CONTAINS PROPRIETARY INFORMATION AND IS THE PROPERTY OF CHALFANT MANUFACTURING COMPANY. THE CONTENTS OF THIS DOCUMENT SHALL NOT BE DISCLOSED, COPIED AND OR PUBLISHED WITHOUT THE WRITTEN CONSENT OF CHALFANT MANUFACTURING COMPANY.

<b>FILENAME:</b> CDWMGMA		 50 Pearl Rd, Brunswick, OH. 44212 Phone: (800) 365-0228 Fax: (330) 273-8149 www.chalfantcabletray.com	<b>GMA</b>
<b>SCALE:</b> AS NOTED			
<b>DRAWN:</b> J.A.B.	01/22/01	<b>PART NO. : AS IN TABLE</b>	<b>DRAWING NO. : WMGMA14S</b>
<b>APPROVED:</b>	C.D.: 0151		
<b>REV.</b>		<b>SHEET 1 OF 1</b>	