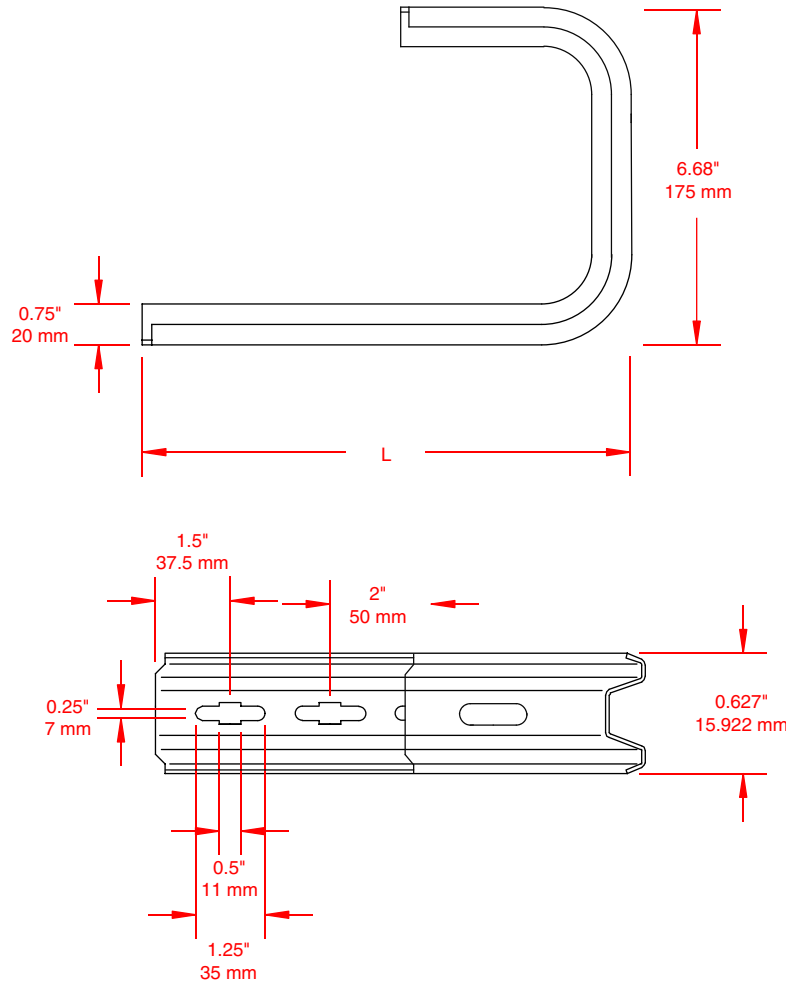


**PRODUCT SPECIFICATIONS:**

1. MATERIAL: PRE GALVANIZED STEEL

TRAY WIDTH		BRACKET LENGTH (L)		PART NUMBER
Inchs.	[mm]	Inchs.	[mm]	
4	100	6	156	WMCBKT04
6	150	8	206	WMCBKT06
8	200	10	256	WMCBKT08
12	300	14	356	WMCBKT12



**RECOMMENDING MOUNTING:**

1. FOR MOUNTING TO HORIZONTAL CONCRETE CEILINGS, WALLS AND BRICKWORK.
2. USE WMSPACER FOR MOUNTING AGAINST SOLID SURFACES.



THIS DOCUMENT CONTAINS PROPRIETARY INFORMATION AND IS THE PROPERTY OF CHALFANT MANUFACTURING COMPANY. THE CONTENTS OF THIS DOCUMENT SHALL NOT BE DISCLOSED, COPIED AND OR PUBLISHED WITHOUT THE WRITTEN CONSENT OF CHALFANT MANUFACTURING COMPANY.

<b>FILENAME:</b> CDWMCBKT		 50 Pearl Rd, Brunswick, OH. 44212 Phone: (800) 365-0228 Fax: (330) 273-8149 www.chalfantcabletray.com	<b>C</b> <b>BRACKETS</b>
<b>SCALE:</b> AS NOTED			
<b>DRAWN:</b> J.A.B	01/23/01	<b>PART NO. : AS IN TABLE</b>	<b>DRAWING NO. : WMCBKTxx</b>
<b>APPROVED:</b> -	C.D.: 0162		
<b>REV.</b> -	-		