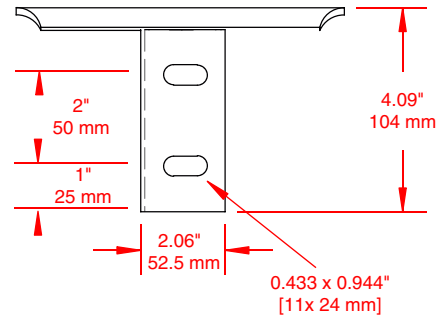
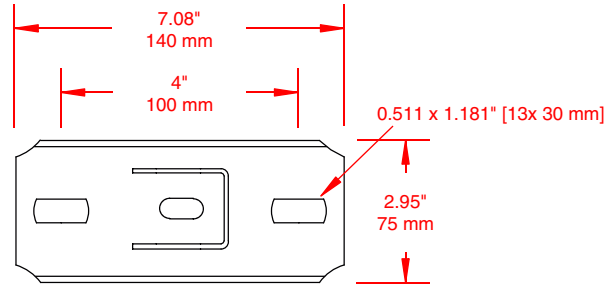


PRODUCT SPECIFICATIONS:

PART NUMBER	FINISH
WMUSHV5G	HOT DIPPED



RECOMMENDING MOUNTING:

1. HEAD FOR MOUNTING ON U5 SUPPORT EXTENDER.



THIS DOCUMENT CONTAINS PROPRIETARY INFORMATION AND IS THE PROPERTY OF CHALFANT MANUFACTURING COMPANY. THE CONTENTS OF THIS DOCUMENT SHALL NOT BE DISCLOSED, COPIED AND OR PUBLISHED WITHOUT THE WRITTEN CONSENT OF CHALFANT MANUFACTURING COMPANY.

FILENAME: CDWMUSHV5G		 50 Pearl Rd, Brunswick, OH. 44212 Phone: (800) 365-0228 Fax: (330) 273-8149 www.chalfantcabletray.com	U5 SUPPORT INVERSE HEAD
SCALE: AS NOTED			
DRAWN: J.A.B.	01/22/01	PART NO. : AS IN TABLE	DRAWING NO. : WMUSHV5G
APPROVED:	C.D.: 0151		
REV.	SHEET 1 OF 1	DRAWING NO. : WMUSHV5G	