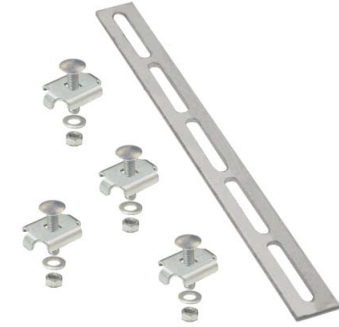
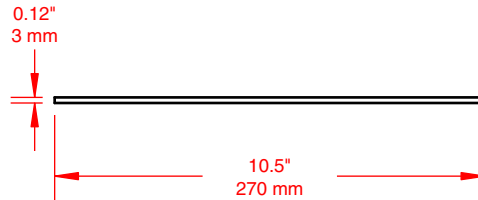
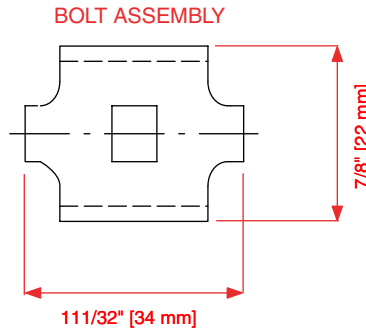
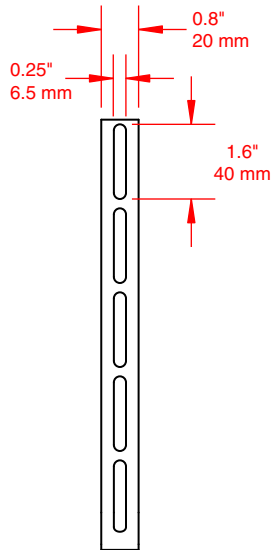


PRODUCT SPECIFICATIONS:

1. MATERIAL: HOT DIPPED GALVANIZED STEEL-
ABBREVIATION 'G'

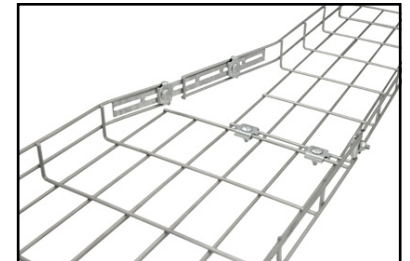


* Kit includes 4 bolt assemblies, and
i reinforcing splice bar.



RECOMMENDING MOUNTING:

1. FOR THE CONNECTION OF TRAY.
ALSO USED IN VARIOUS INSTALLATION
APPLICATIONS.



THIS DOCUMENT CONTAINS PROPRIETARY INFORMATION
AND IS THE PROPERTY OF CHALFANT MANUFACTURING COMPANY
THE CONTENTS OF THIS DOCUMENT SHALL NOT BE DISCLOSED, COPIED
AND OR PUBLISHED WITHOUT THE WRITTEN CONSENT OF
CHALFANT MANUFACTURING COMPANY.

FILENAME: CDWMREMFKIT		 50 Pearl Rd, Brunswick, OH. 44212 Phone: (800) 365-0228 Fax: (330) 273-8149 www.chalfantcabletray.com	REINFORCING SPLICE BAR KIT
SCALE: AS NOTED			
DRAWN: J.A.B.	01/22/01	PART NO. : WMREMFKIT	DRAWING NO. : WMREMFKIT
APPROVED:	C.D.: 0151		
REV.	SHEET 1 OF 1	DRAWING NO. : WMREMFKIT	