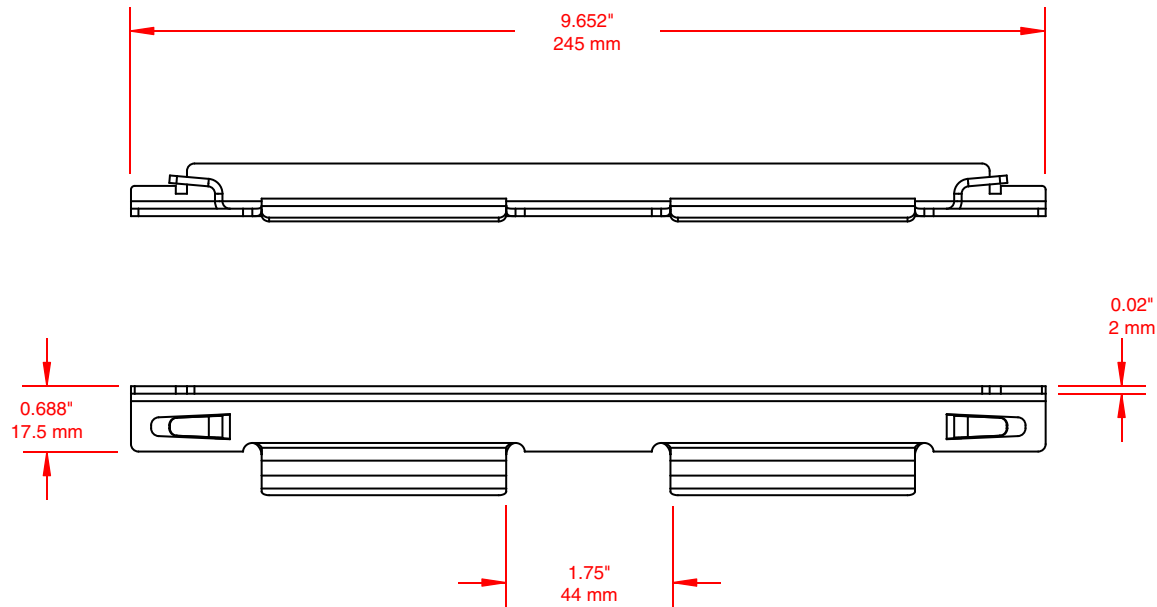


**PRODUCT SPECIFICATIONS:**

PART NUMBER	FINISH
WMSP200	PRE-GALVANIZED
WMSP200G	HOT DIPPED
WMSP200Z	STAINLESS STEEL 316



ISO 9001



THIS DOCUMENT CONTAINS PROPRIETARY INFORMATION AND IS THE PROPERTY OF CHALFANT MANUFACTURING COMPANY. THE CONTENTS OF THIS DOCUMENT SHALL NOT BE DISCLOSED, COPIED AND OR PUBLISHED WITHOUT THE WRITTEN CONSENT OF CHALFANT MANUFACTURING COMPANY.

<b>FILENAME:</b> CDWMSP200		50 Pearl Rd, Brunswick, OH. 44212 Phone: (800) 365-0228 Fax: (330) 273-8149 www.chalfantcabletray.com	<b>QUICK SPLICE</b>
<b>SCALE:</b> AS NOTED			
<b>DRAWN:</b> J.A.B.	02/20/05	<b>PART NO. : WMSP200</b>	<b>DRAWING NO. : WMSP200</b>
<b>APPROVED:</b> -	C.D.: 1247		
<b>REV.</b> -	-	<b>SHEET 1 OF 1</b>	