

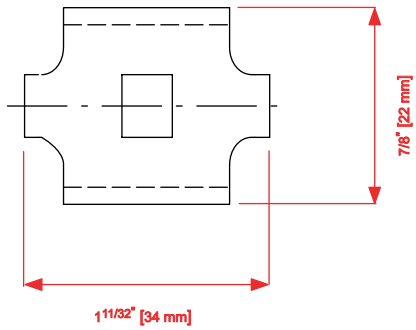
PRODUCT SPECIFICATIONS:

1. MATERIAL: HOT DIPPED GALVANIZED.

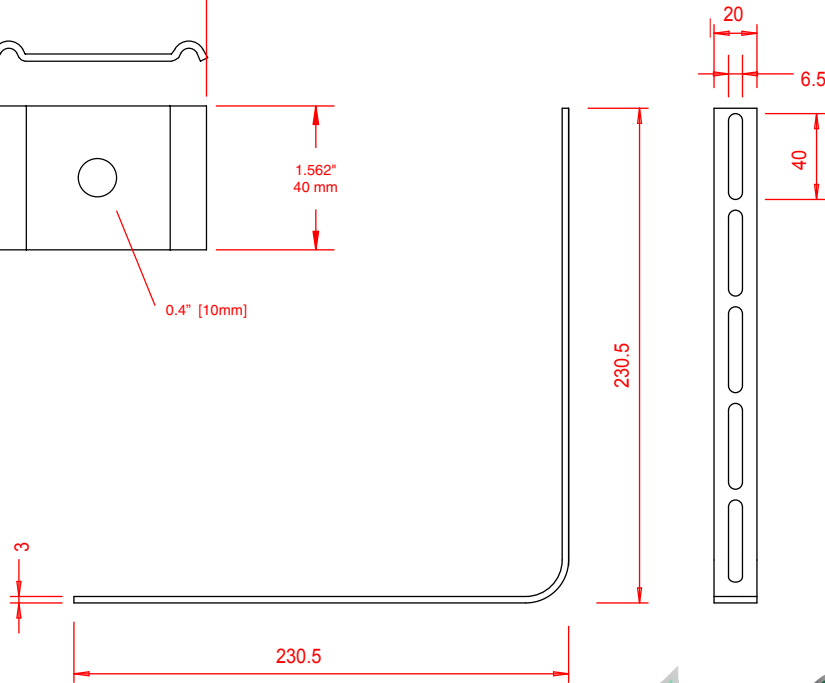
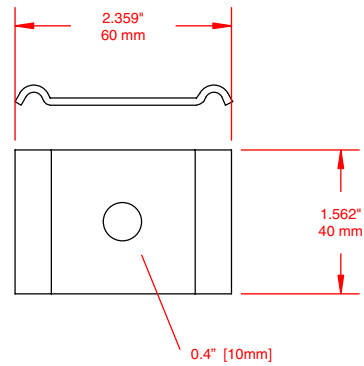


* Kit includes 2 hold down clamps, 4 clamping pieces, and one 90 degree bracket

Clamping piece *



Hold Down Clamp *



THIS DOCUMENT CONTAINS PROPRIETARY INFORMATION AND IS THE PROPERTY OF CHALFANT MANUFACTURING COMPANY THE CONTENTS OF THIS DOCUMENT SHALL NOT BE DISCLOSED, COPIED AND OR PUBLISHED WITHOUT THE WRITTEN CONSENT OF CHALFANT MANUFACTURING COMPANY.

FILENAME: CDWM90BK		50 Pearl Rd, Brunswick, OH. 44212 Phone: (800) 365-0228 Fax: (330) 273-8149 www.chalfantcabletray.com	90 Degree Bracket Kit
SCALE: AS NOTED			
DRAWN: W.H.G.	02/20/01	PART NO. : WM90BK	DRAWING NO. : WM90BK
APPROVED:	C.D.: 0152		
REV.		SHEET 1 OF 1	