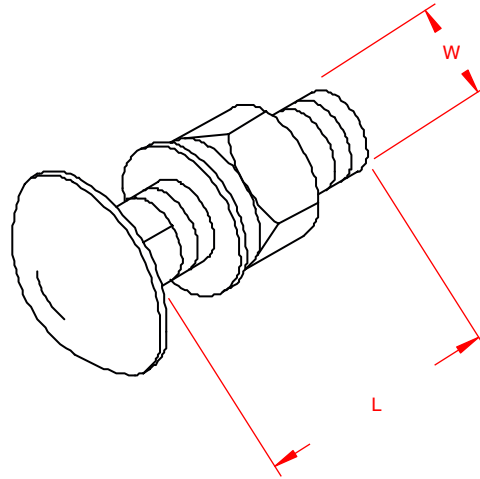


PRODUCT SPECIFICATIONS:

LENGTH	WIDTH		FINISH
	1/4"	3/8"	
.5 "	WMSB05-6S	-	Electro-Galvanized
.75"	WMSB75-6S	WMSB75-10S	Electro-Galvanized
1"	-	WMSB10-10S	Electro-Galvanized
1.2"	-	WMSB12-10S	Electro-Galvanized
.5"	WMSB05-6G	-	Hot-Dipped
.75"	WMSB75-6G	WMSB75-10G	Hot-Dipped
1"	-	WMSB10-10G	Hot-Dipped
1.2"	WMSB12-6G	WMSB12-10G	Hot-Dipped



THIS DOCUMENT CONTAINS PROPRIETARY INFORMATION AND IS THE PROPERTY OF CHALFANT MANUFACTURING COMPANY. THE CONTENTS OF THIS DOCUMENT SHALL NOT BE DISCLOSED, COPIED AND OR PUBLISHED WITHOUT THE WRITTEN CONSENT OF CHALFANT MANUFACTURING COMPANY.

FILENAME: CDWMSB		 50 Pearl Rd, Brunswick, OH. 44212 Phone: (800) 365-0228 Fax: (330) 273-8149 www.chalfantcabletray.com	STANDARD BOLTING KIT
SCALE: AS NOTED			
DRAWN: J.A.B.	01/22/01	PART NO. : AS IN TABLE	DRAWING NO. : WMSB
APPROVED:	C.D.: 0151		
REV.	SHEET 1 OF 1		