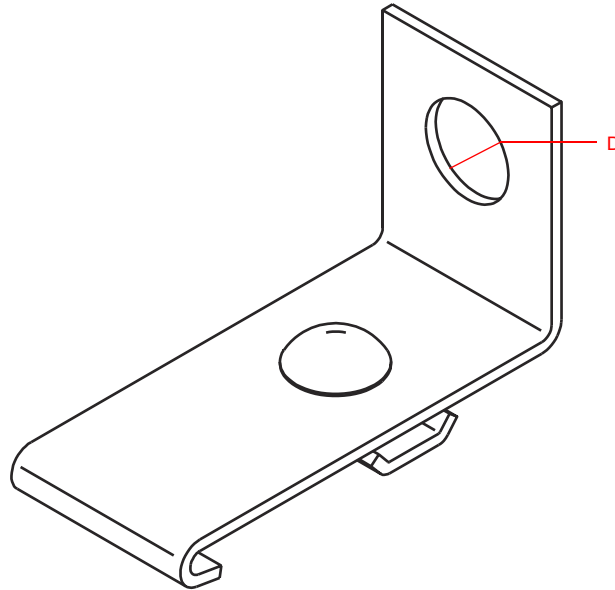


PRODUCT SPECIFICATIONS:

1. MATERIAL: PRE GALVANIZED STEEL

CONDUIT DIAMETER		ADAPTOR DIAMETER (D)		PART NUMBER
Inchs.	[mm]	Inchs.	[mm]	
0.5	12.7	0.7	17.9	WMCA12S
0.75	19	0.9	23.4	WMCA34S
1	25	1.1	29.5	WMCA10S
1.25	31.75	1.5	38.4	WMCA14S
1.5	38	1.7	44.2	WMCA15S
2	50	2.1	55.8	WMCA20S*

* WMCA20S Available upon request



RECOMMENDING MOUNTING:

1. FOR ATTACHING CONDUIT TO CABLE TRAY.



THIS DOCUMENT CONTAINS PROPRIETARY INFORMATION AND IS THE PROPERTY OF CHALFANT MANUFACTURING COMPANY. THE CONTENTS OF THIS DOCUMENT SHALL NOT BE DISCLOSED, COPIED AND OR PUBLISHED WITHOUT THE WRITTEN CONSENT OF CHALFANT MANUFACTURING COMPANY.

FILENAME: CDWMCA12S		 50 Pearl Rd, Brunswick, OH. 44212 Phone: (800) 365-0228 Fax: (330) 273-8149 www.chalfantcabletray.com	CONDUIT ADAPTOR
SCALE: AS NOTED			
DRAWN: J.A.B	01/23/01		
APPROVED: -	C.D.: 0162		
REV. -	-	PART NO. : AS IN TABLE	DRAWING NO. : WMCAxxS
		SHEET 1 OF 1	