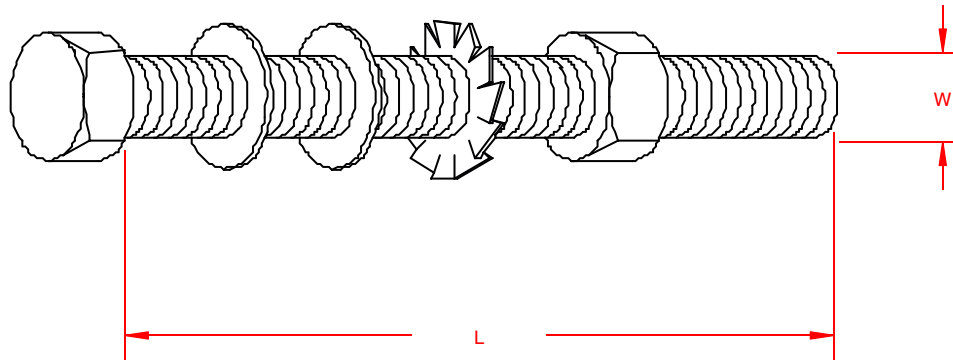


**PRODUCT SPECIFICATIONS:**

LENGTH	WIDTH		FINISH
	3/8"	1/2"	
1"	WMBB10-10G	WMBB10-12G	Hot-Dipped
3.2"	WMBB32-10G	WMBB32-12G	Hot-Dipped
3.5"	WMBB35-10G	-	Hot-Dipped
4"	WMBB40-10G	WMBB40-12G	Hot-Dipped
4.5"	-	WMBB45-12G	Hot-Dipped
4.5"	WMBB45-10S	-	Electro-Galvanized



THIS DOCUMENT CONTAINS PROPRIETARY INFORMATION AND IS THE PROPERTY OF CHALFANT MANUFACTURING COMPANY. THE CONTENTS OF THIS DOCUMENT SHALL NOT BE DISCLOSED, COPIED AND OR PUBLISHED WITHOUT THE WRITTEN CONSENT OF CHALFANT MANUFACTURING COMPANY.

<b>FILENAME:</b> CDWMBB		 50 Pearl Rd, Brunswick, OH. 44212 Phone: (800) 365-0228 Fax: (330) 273-8149 www.chalfantcabletray.com	<b>BACK TO BACK BOLTING KIT</b>
<b>SCALE:</b> AS NOTED			
<b>DRAWN:</b> J.A.B.	01/22/01	<b>PART NO. : AS IN TABLE</b>	<b>DRAWING NO. : WMBB</b>
<b>APPROVED:</b>	C.D.: 0151		
<b>REV.</b>		<b>SHEET 1 OF 1</b>	