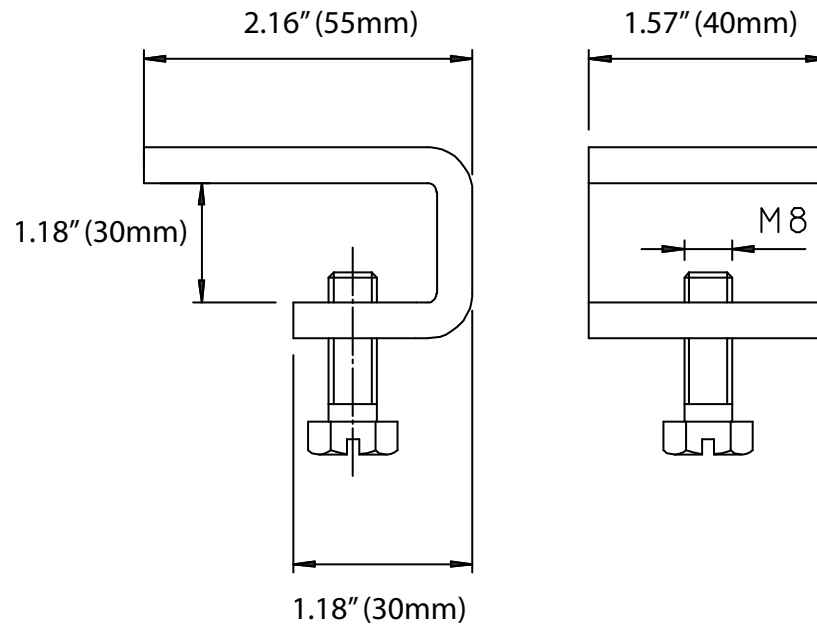


PRODUCT SPECIFICATIONS:

PART NUMBER	FINISH
WMBC	HOT-DIPPED



THIS DOCUMENT CONTAINS PROPRIETARY INFORMATION AND IS THE PROPERTY OF CHALFANT MANUFACTURING COMPANY. THE CONTENTS OF THIS DOCUMENT SHALL NOT BE DISCLOSED, COPIED AND OR PUBLISHED WITHOUT THE WRITTEN CONSENT OF CHALFANT MANUFACTURING COMPANY.

FILENAME: CDWMBC		50 Pearl Rd, Brunswick, OH. 44212 Phone: (800) 365-0228 Fax: (330) 273-8149 www.chalfantcabletray.com	BEAM CLAMP
SCALE: AS NOTED			
DRAWN: J.A.B.	03/26/08	PART NO. : AS IN TABLE	DRAWING NO. : WMBC
APPROVED:	C.D.: 0151		
REV.	SHEET 1 OF 1		